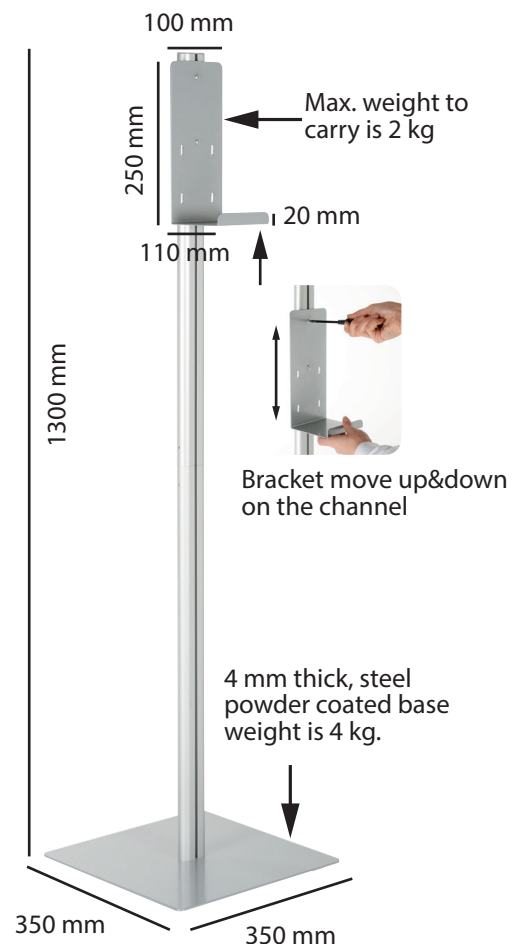
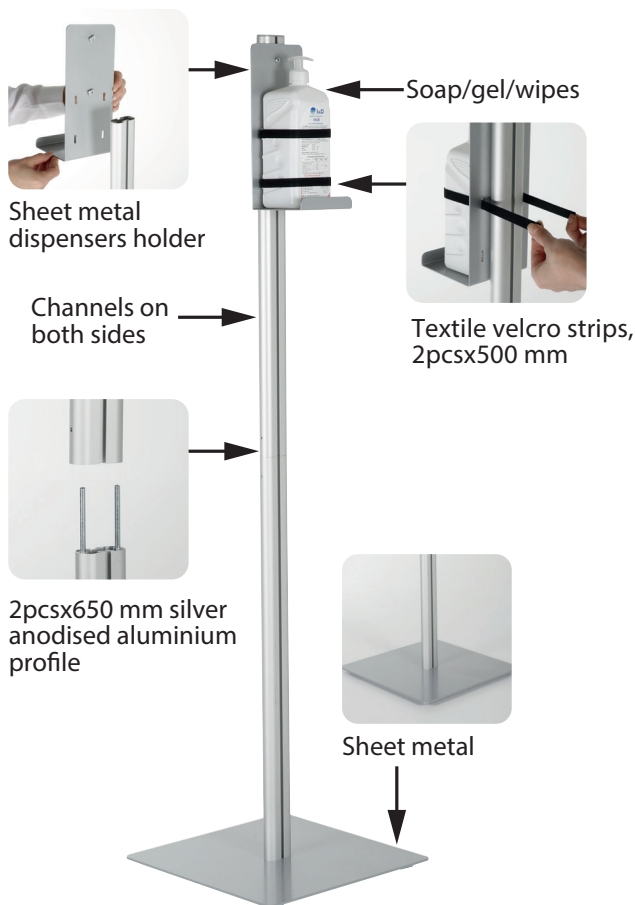


FLOOR STAND FOR PUMP DISPENSERS

- Floor Stand for Pump Dispensers is ideal for use with hand sanitizing or wipe dispensers.
- Dispenser height is adaptable for various brands available in the market. Height of the bracket is 25 cm. Any height of dispenser can be used as long as the max weight does not exceed 2 kg on each bracket.
- Dispenser's position at height is also adjustable on the pole, moving up and down the channel of the aluminium post.
- If required an additional box dispenser or pump dispenser bracket can be added, allowing the stand to offer two dispensers at the same time.
- The dispensers are mounted with 2 pcs of very tight weather-resistant velcro tape, which is replaceable if need be. The length of each velcro tape is 50 cm, and allows different dispenser depths or

heights to be placed on the bracket. The dispenser placement at the bracket is 10 cm x 10 cm.

- The station is suitable for use in high traffic areas such as supermarkets, pharmacies, banks, factories, construction sites, apartments and many more.
- 100% Made in Turkey by M&T Displays.
- Refilling is easy for maintenance staff, there is no lock for maintenance access.
- Easy to assemble: only 3 main parts.
- Strong aluminum material suitable for indoor and outdoor.
- Supports different brands of all kind of disposable wipes, tissue boxes and liquid sanitizers (boxes or dispensers not included).



ARTICLE	DESCRIPTION
USSFSN0001	Floor Stand for Pump Dispensers with one Bracket
UYPFSPN000	Additional Pump Dispenser Bracket
UYPFBSN000	Additional Box Dispenser Bracket